

KLIPSCH PROFESSIONAL SURFACE MOUNT OUTDOOR LOUDSPEAKERS

PSM-450-T | PSM-525-T | PSM-650-T | PSM-800-T | PSM-800-SW-T

OWNER'S MANUAL



IMPORTANT SAFETY INSTRUCTIONS

1. READ these instructions.
2. KEEP these instructions.
3. HEED all warnings.
4. FOLLOW all instructions.
5. DO NOT submerge apparatus beneath water.
6. CLEAN ONLY with dry cloth.
7. DO NOT block any ventilation openings. Install in accordance with the manufacturer's instructions.
8. DO NOT install near any heat sources such as radiators, heat registers, stoves, or other apparatus (including amplifiers) that produce heat.
9. ONLY USE attachments/accessories specified by the manufacturer.
10. USE only with a bracket specified by the manufacturer, or sold with the apparatus.
11. REFER all servicing to qualified service personnel. Servicing is required when the apparatus has been damaged in any way, such as power-supply cord or plug is damaged, liquid has been spilled or objects have fallen into the apparatus, the apparatus has been exposed to rain or moisture, does not operate normally, or has been dropped.



The exclamation point, within an equilateral triangle, is intended to alert the user to the presence of important operating and maintenance (servicing) instructions in the literature accompanying the product.



The lightning flash with arrowhead symbol within an equilateral triangle is intended to alert the user to the presence of uninsulated "dangerous voltage" within the product's enclosure that may be of sufficient magnitude to constitute a risk of electrical shock to persons.



WARNING: No naked flame sources – such as candles – should be placed on the product.

WARNING: Voltages in this equipment are hazardous to life. No user-serviceable parts inside. Refer all servicing to qualified service personnel.

CAUTION: Changes or modifications not expressly approved by the manufacturer could void the user's authority to operate this device.

ABOUT YOUR KLIPSCH PURCHASE

Thank you for your purchase of Klipsch outdoor loudspeakers. After reading this manual and connecting your system, you will hear the result of over 75 years of stringent engineering and class-leading research and development. Like all Klipsch products, your outdoor loudspeakers feature Klipsch Horn-loaded Technology—the guiding design for the first Klipschorn® developed in 1946 and for every product that has followed. Horn-loading allows your speakers to deliver high sensitivity, low distortion, controlled frequency response

and controlled dispersion, which translates to unequalled power, detail and dynamics, the hallmarks of "The Klipsch Sound." Please be sure to register online at www.klipsch.com/register so we are better able to serve you. Again, thank you for choosing Klipsch and we hope that your speakers bring life to your music for many years.

KLIPSCH PROFESSIONAL SURFACE MOUNT LOUDSPEAKERS

(PSM-450-T, PSM-525-T, PSM-650-T, PSM-800-T, PSM-800-SW-T)

The Klipsch Professional Surface Mount loudspeakers are a coaxial design using a high performance bass driver for the low frequencies. Tractrix Hyperfold Ports with a 5 stage folded horn included in each port are used to improve sound dispersion, allowing the speaker system to radiate sound waves more evenly in all directions. A 1" Titanium dome, compression driver mounted to round, modified tractrix horn, with mumps (patented), provides 105 degrees of coverage for clean and efficient reproduction of the high and midrange frequencies.

Klipsch Professional Surface Mount loudspeakers are constructed from UV-resistant material and are remarkably durable against the elements. With an IPX6 rating while mounted horizontal with a 20 degree down angle, they are highly water resistant. They can be painted to match any trim or siding color.

PLACEMENT

The Professional Surface Mount models are perfect for any place where exposure to the elements makes conventional loudspeaker usage unsuitable.

(PSM-450-T, PSM-525-T, PSM-650-T, PSM-800-T, PSM-800-SW-T)

WALL MOUNTING

Included with your speakers are "C" style mounting brackets constructed of weather-resistant, powder-coated zinc. These brackets attach to the speaker with the supplied low profile knobs that thread onto the top and bottom studs protruding from the cabinet. This allows the speaker to be angled to the left or right when mounted vertically, or up and down when mounted horizontally.

Secure the mounting bracket to the mounting surface using hardware (not provided) suitable for the specific surface type. Always be sure to use best practices when mounting your speakers.

CONNECTIONS

The PSM-450-T, PSM-525-T, PSM-650-T, PSM-800-T and PSM-800-SW-T include a multi-tap transformer for 70 or 100 volt installations. There is also a bypass position that allows normal 8 ohm operation for installations that do not require a transformer. The switch is on the back of the speaker and can be set using a small flat head screwdriver. Make the appropriate tap selection as indicated below:

Bypass Position: 8 ohm Nominal
PSM-450-T (Transformer Power Rating: 15W)
70V: 15W, 7.5W, 3.7W, 1.9W
100V: 15W, 7.5W, 3.7W

Bypass Position: 8 ohm Nominal
PSM-525-T (Transformer Power Rating: 30W)
70V: 30W, 15W, 7.5W, 3.7W
100V: 30W, 15W, 7.5W

Bypass Position: 8 ohm Nominal
PSM-650-T (Transformer Power Rating: 60W)
70V: 60W, 30W, 15W, 7.5W
100V: 60W, 30W, 15W

Bypass Position: 8 ohm Nominal
PSM-800-T (Transformer Power Rating: 100W)
70V: 100W, 50W, 25W, 12.5W
100V: 100W, 50W, 25W

Bypass Position: 4 ohm Nominal
PSM-800-SW-T (Transformer Power Rating: 150W)
70V: 70W, 35W
100V: 150W, 70W

When making any type of speaker wire connection, be sure to observe proper polarity. Most speaker wire and connectors are color-coded. Typically, red is positive (+) and black is negative (-), or ground. It does not matter which wire conductor is connected to the positive or negative connection of your equipment as long as it is consistent.

TYPES OF CONNECTORS

Your speaker is equipped with detachable screw euro block connectors for inputs and outputs. The speaker features a rubber grommet that can be used to thread the speaker wires through. Also included is a conduit connector which can be installed by removing the rubber grommet. Make sure that there is no metal-to-metal contact between the two wires. Failure to observe this precaution at either end of the connection can result in amplifier malfunction or damage.

PAINTING

The grille and cabinet of your speakers may be painted. For best results, lightly sand all surfaces to be painted (cabinet and grille) with 300-400 grit sandpaper. Wash these surfaces with a moistened cloth dipped into a mild detergent to remove any fingerprints or grease. Allow speaker to dry before painting.

Care must be taken to mask off the front of the speaker to protect the tweeter, woofer and front panel from overspray. This will maintain the existing uniform dark color behind the grille and protect the woofer and tweeter from being damaged by the paint. Affix masking tape to the inboard wall of the grille groove and attach plastic or newspaper to the tape to cover the entire front panel of the speaker. Also before painting, mask the connector pins where the euro block connectors are inserted on the rear of the cabinet to preserve their conductivity.

Remove the grill set screws, grille and speaker terminal cover before painting. For best results, use several light coats of paint instead of one heavy coat. This will help prevent the perforations in the grille from becoming clogged with paint.

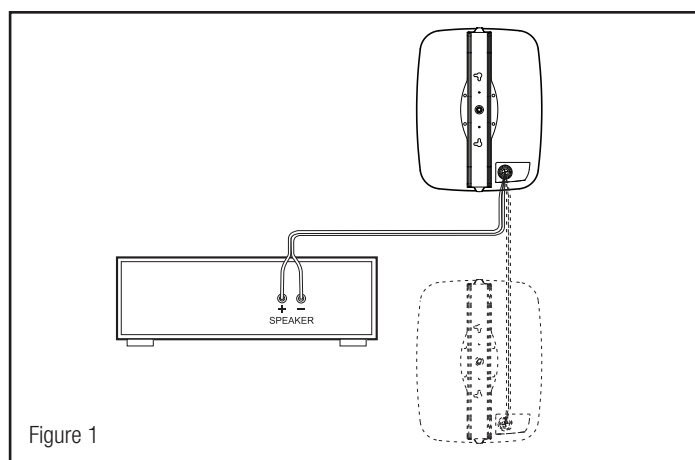


Figure 1

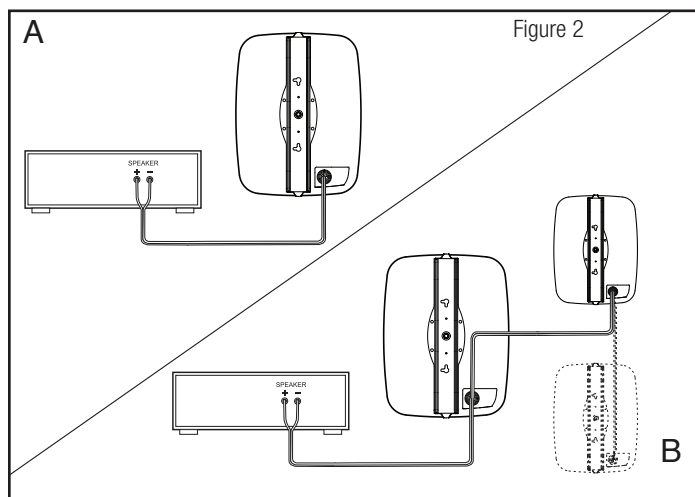


Figure 2

PRODUCT REGISTRATION

Register your product online at www.klipsch.com/register

- Klipsch will keep you up-to-date on new products and promotions
- Your personal information will never be resold
- This registration information is not used for warranty purposes.

Please retain your receipt for warranty claims.

Klipsch[®]
KEEPERS OF THE SOUND[™]