

6

5

4

3

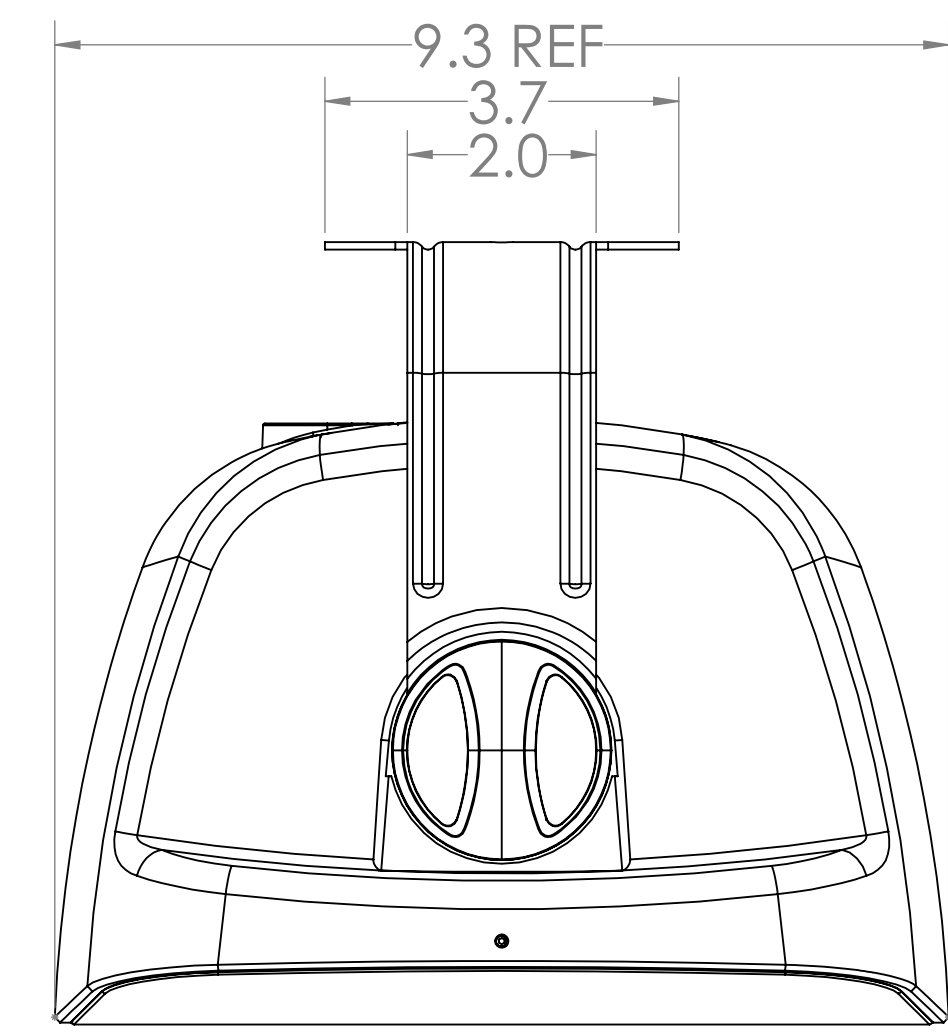
2

1

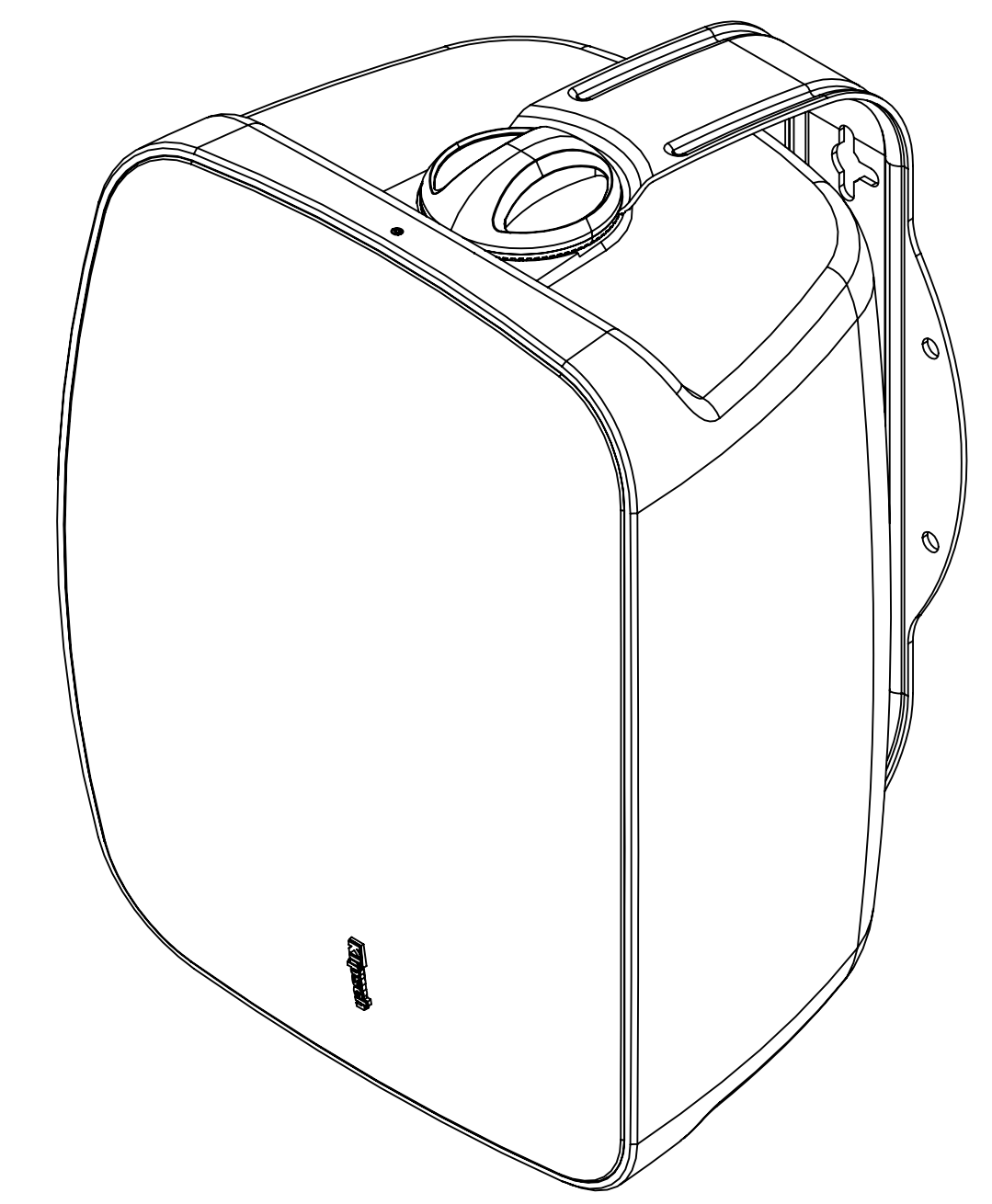
DWG. NO. D106796 REV. A

REVISIONS				
REV.	ECO NO.	DESCRIPTION	DATE	APPROVED

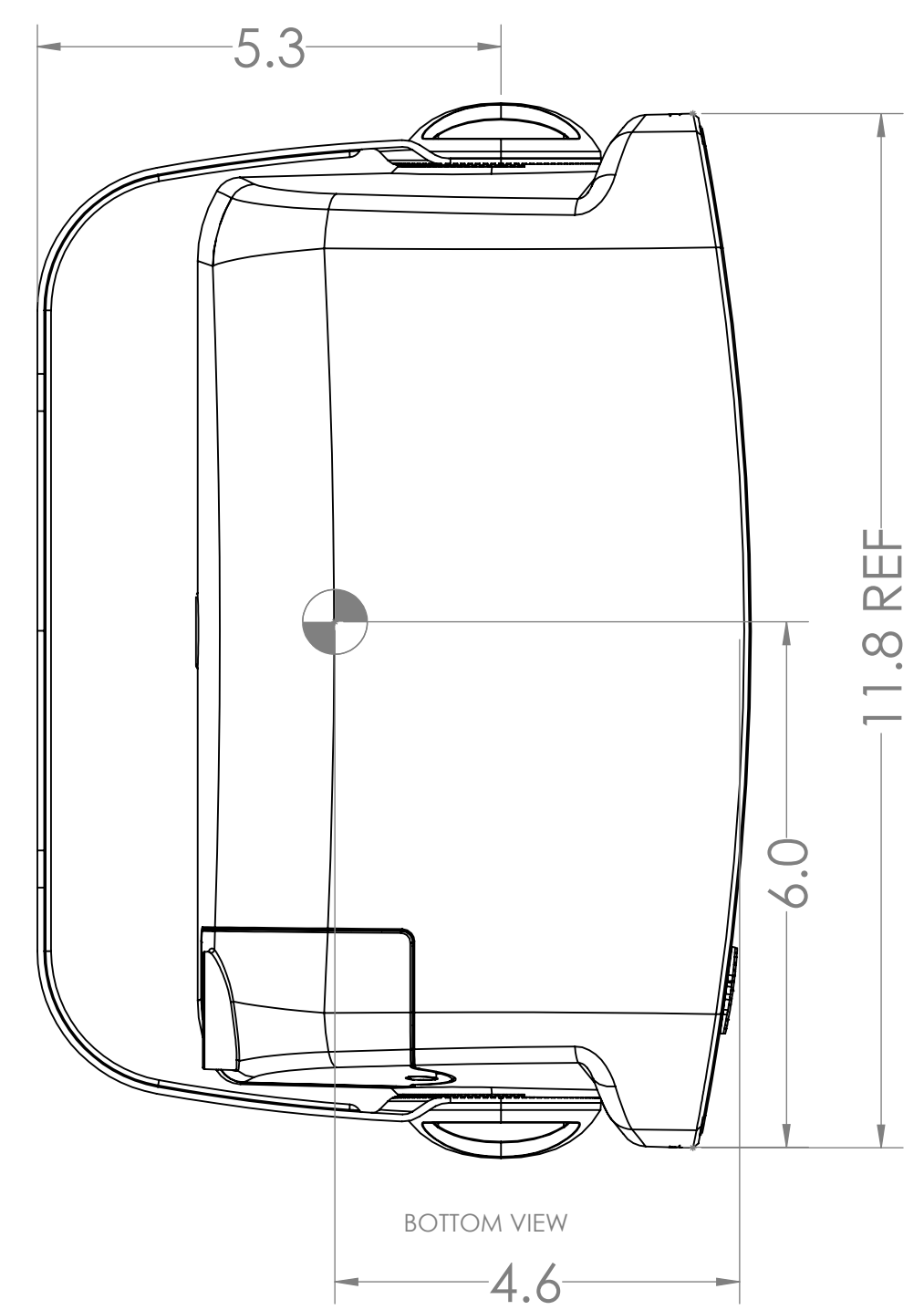
 THIS SYMBOL REPRESENTS CENTER OF GRAVITY



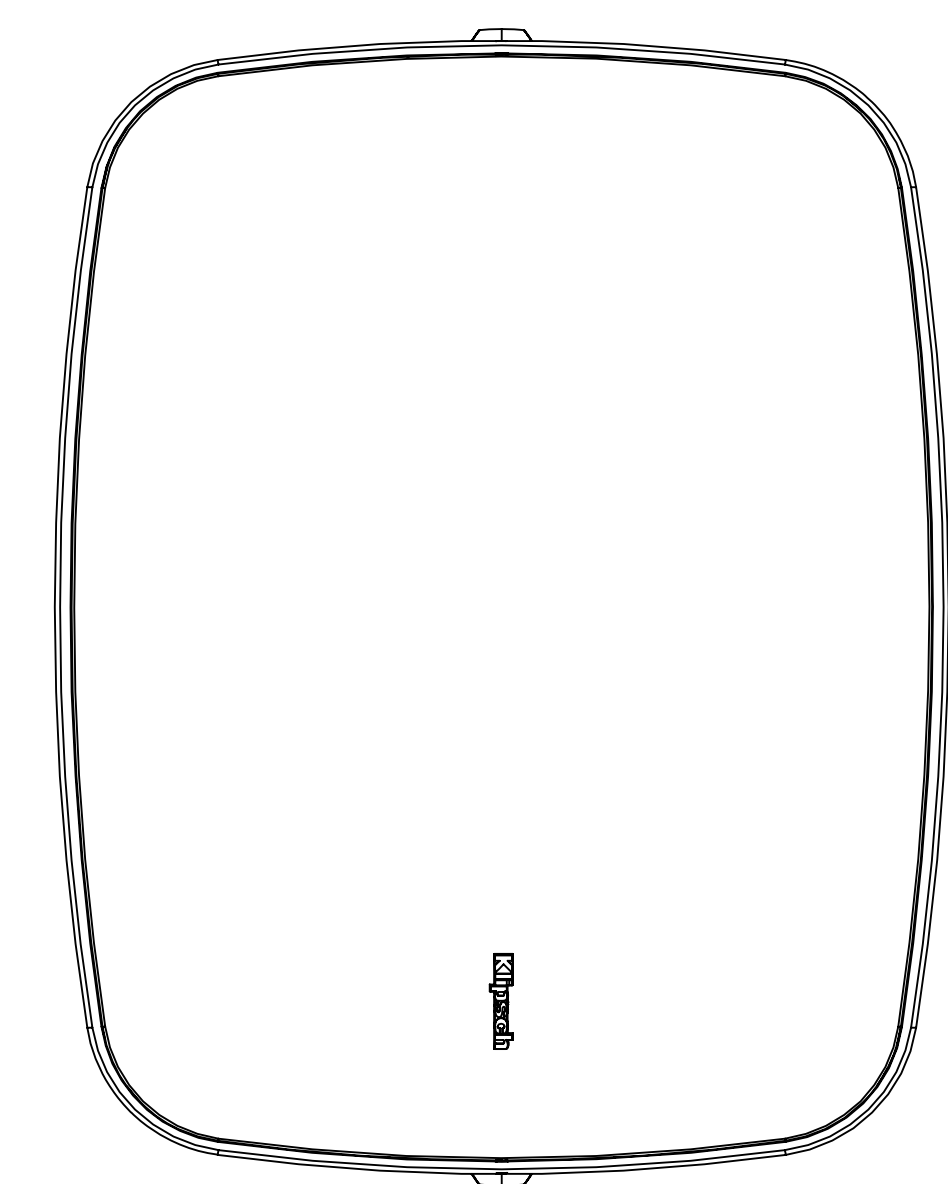
SIDE VIEW



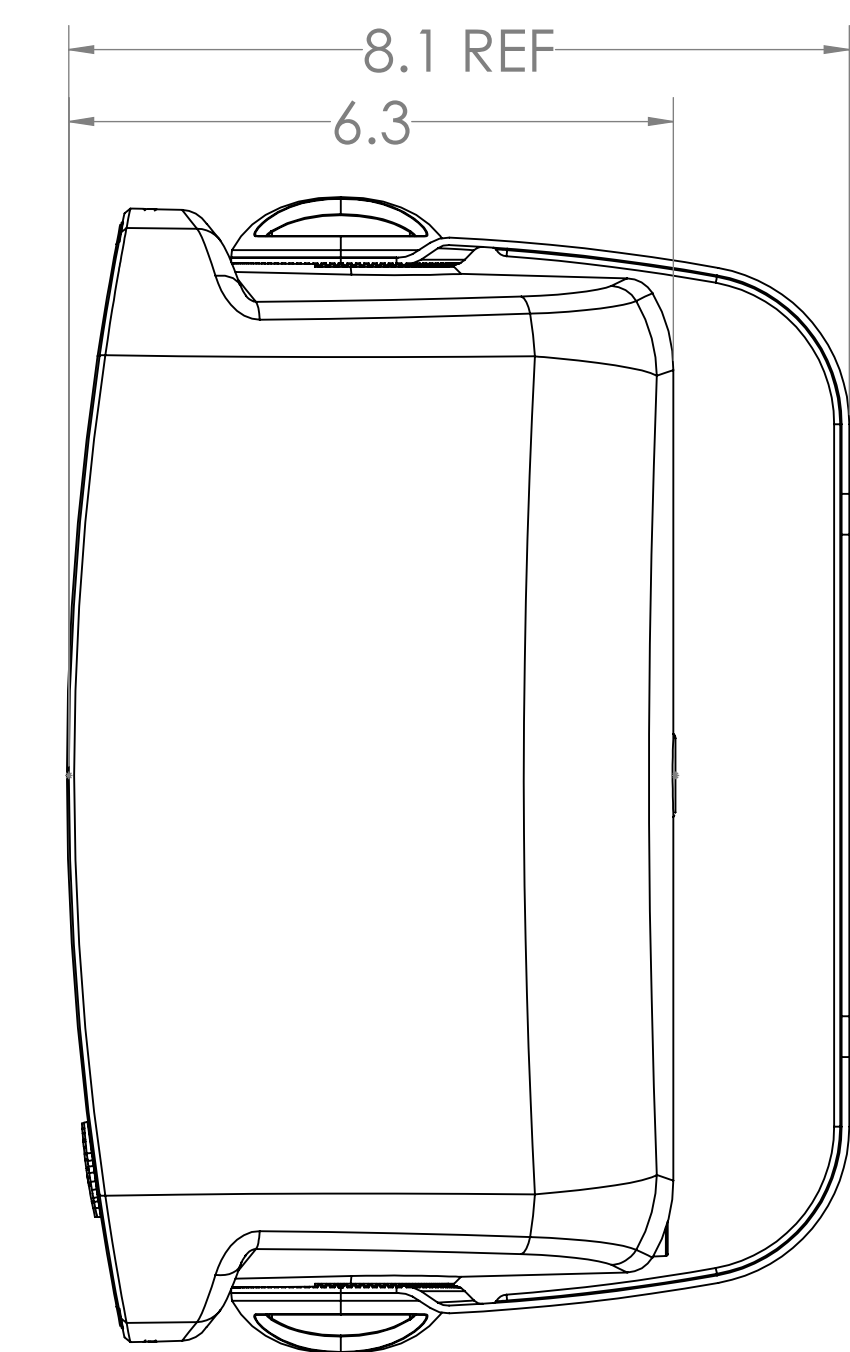
ISOMETRIC VIEW



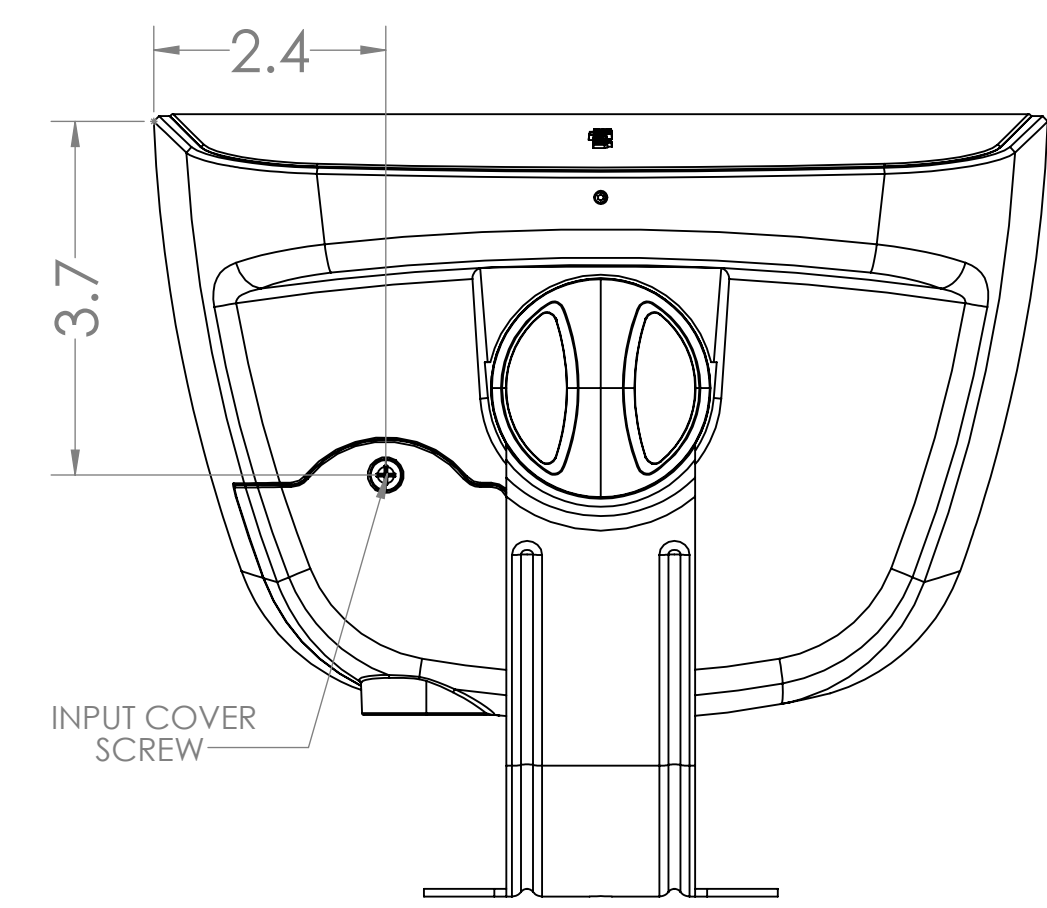
BOTTOM VIEW



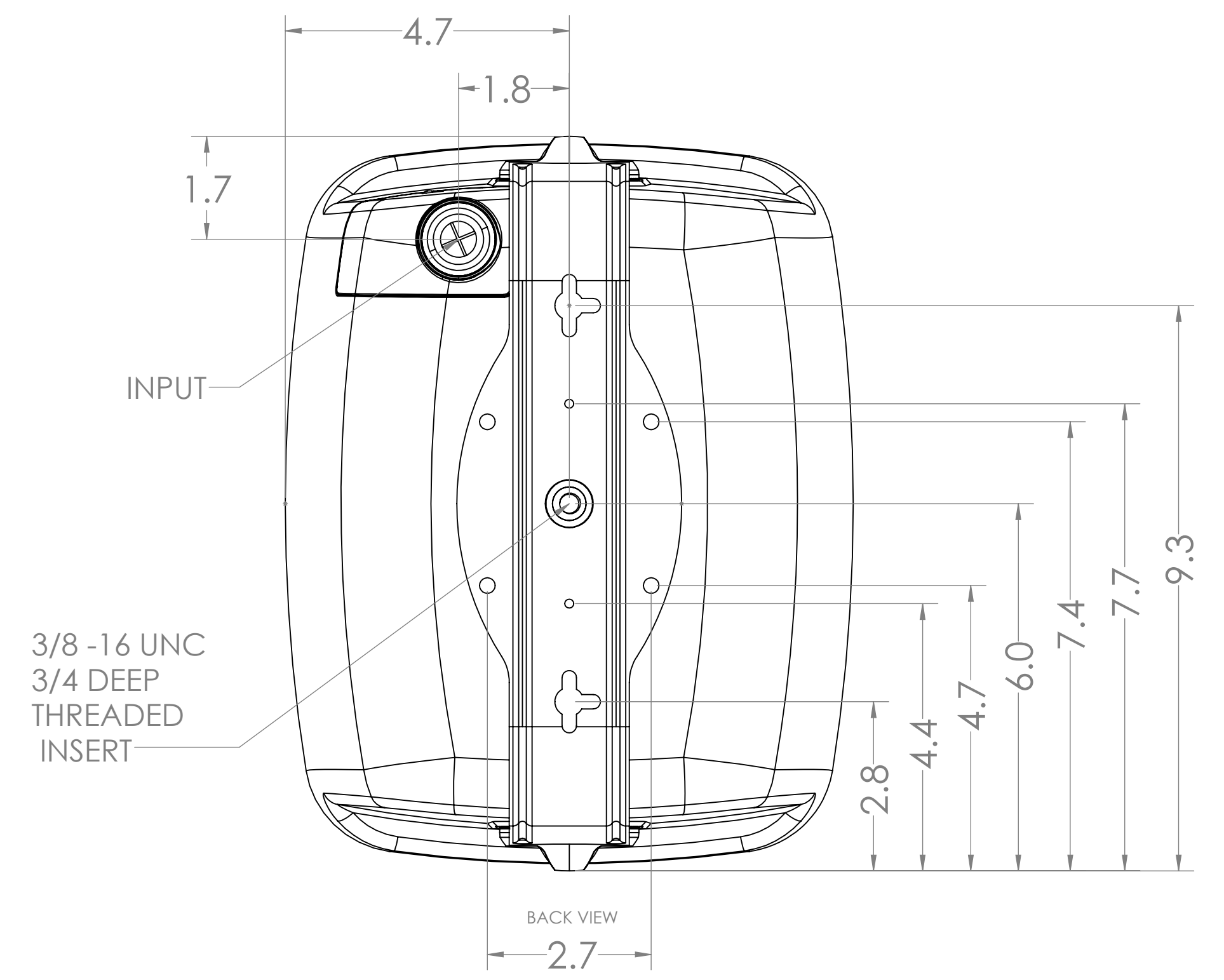
FRONT VIEW



TOP VIEW



SIDE VIEW



<p>THE INFORMATION IN THIS DOCUMENT IS THE PROPERTY OF KLIPSCH GROUP INC. AND CONTAINS PROPRIETARY AND CONFIDENTIAL INFORMATION. THIS DOCUMENT IS GIVEN FOR THE PURPOSE OF QUOTATION OR PROCUREMENT AND THE INFORMATION CONTAINED HEREIN SHALL NOT BE DISCLOSED TO OTHERS, OR BE DUPLICATED FOR ANY OTHER PURPOSE WITHOUT THE EXPRESS WRITTEN CONSENT OF KLIPSCH GROUP INC.</p>	WHERE USED	<p>TOLERANCES UNLESS OTHERWISE SPECIFIED DECIMAL .XXX ± .020</p> <p>FRACTION ± 1/64 ANGLE ± 1°</p> <p>MATERIAL SPECIFICATIONS 32 [0.8]</p>	<p>DO NOT SCALE</p> <p>APPROVALS</p> <table border="1"> <tr> <th>SIGNATURES</th> <th>DATE</th> </tr> <tr> <td>ORIGINATOR:</td> <td> </td> </tr> <tr> <td>CHECKER:</td> <td> </td> </tr> <tr> <td>ENGINEER:</td> <td> </td> </tr> <tr> <td>MFG ENG:</td> <td> </td> </tr> <tr> <td>REVISED BY:</td> <td> </td> </tr> </table>	SIGNATURES	DATE	ORIGINATOR:		CHECKER:		ENGINEER:		MFG ENG:		REVISED BY:		<p>Klipsch AUDIO GROUP INC. 137 HEMPSTEAD ROAD # 278 HOPE, AR 71801</p> <p>TITLE: PSM-450-T ARCHITECTURAL DRAWING</p> <p>DWG. NO. D106796 DIM: INCH (METRIC) SCALE: 1:2 SHEET: 1 OF 1</p>
	SIGNATURES	DATE														
ORIGINATOR:																
CHECKER:																
ENGINEER:																
MFG ENG:																
REVISED BY:																
<p>3/8 -16 UNC 3/4 DEEP THREADED INSERT</p>	<p>32 [0.8]</p>	<p>REV. A</p>	<p>REV. A</p>													